

Backdraft Damper ▲ 4" Deep ▲ "Tear Drop" Blades ▲ Galvanized Steel ▲ 180°F Max Temperature

STANDARD MATERIALS AND CONSTRUCTION

- FRAME:** 10 GA. galvanized steel.
- BLADES:** 16 GA. galvanized steel.
- BLADE SPACING:** 3³/₈" minimum to 7¹/₈" maximum
- LINKAGE:** 1/8" thick plated steel bracket with 1/2" dia. plated steel pivot riding in a celcon sleeve bearing. Linkage rod is 5/16" dia. aluminum locked to pivot with a 1/4"-20 UNC plated steel set screw. Single linkage for panels < 20"W. double linkage for panels > 20"W.
- AXLES:** 3/4" dia. steel; Full length of blade.
- BEARINGS:** Bronze Oilite.
- SEALS:** Polyurethane on blade edges, none at jambs.
- FINISH:** Mill.

OPTIONS

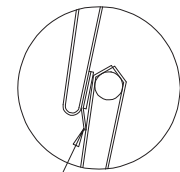
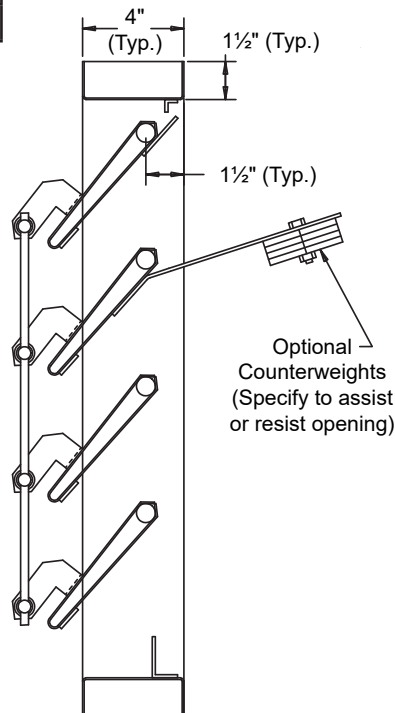
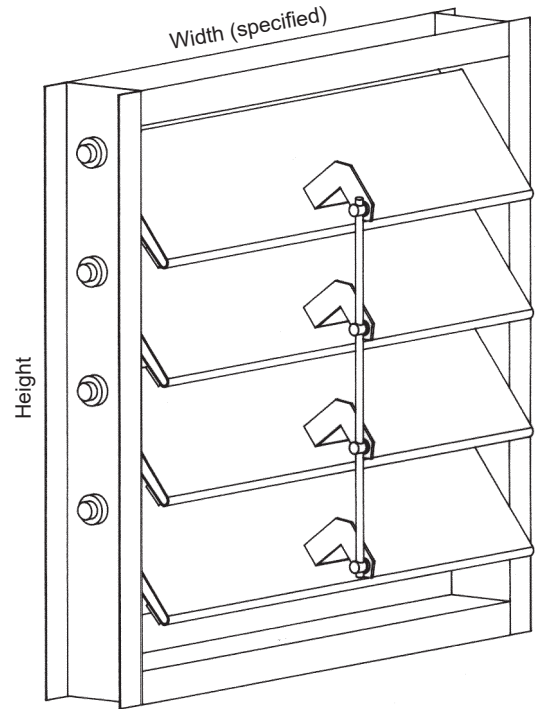
- Frames are available to completely contain blades and linkage
- Flange or Channel frame (Airflow must be specified)
- Jamb seals on blades and jambs to provide low leakage.
- Stainless steel blade seal (.0010" thick)
- Counterweights (Assist or Resist must be specified)
- Variety of bird and insect screens

NOTES

- 1. Nominal deductions will be made to the opening size given.

DAMPER SIZES

Min Panel	Max Single Panel
12"W x 12"H	48"W x 72"H



Optional Stainless Steel Blade Seal; .010" Thick

Item #	Qty	Width	Height	Width	Height	Mullion	Counter Balance	Air Flow (Direction)	Job:	
		Opening Size		Damper Size						
Arch. / Eng.:						EDR:	ECN:			
Contractor:										
Project:						Date:	DWN:	DWG:		



Union Made

Backdraft Damper ▲ 4" Deep ▲ "Tear Drop" Blades ▲ Galvanized Steel ▲ 180°F Max Temperature

PRESSURE DROP DATA

Performance is based on AMCA Standard 500, Figure 5.4 (without ductwork) or Figure 5.3 (in-duct mount), operating temperatures below 180°F and a standard air density of 0.75 lb/ft³. Actual pressure drop performance will vary based on damper size and exact installation configuration. The curves shown below are furnished with counterweights to assist opening.

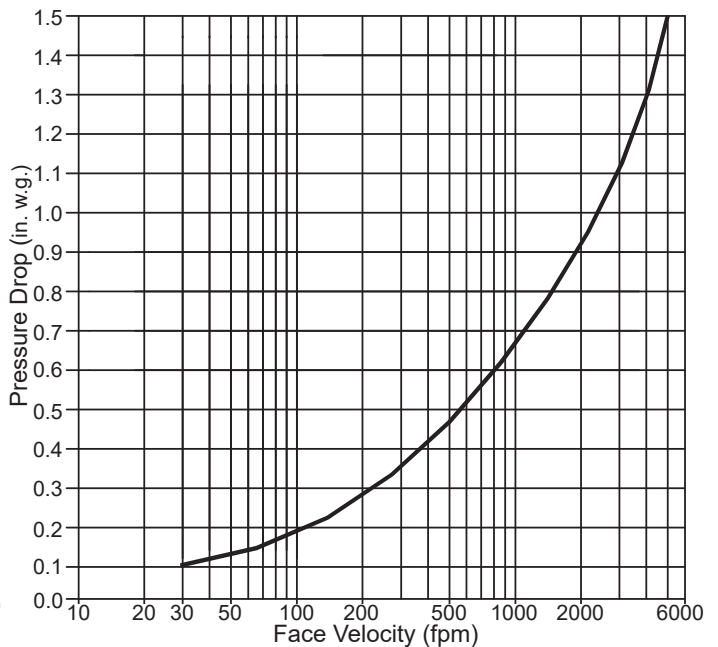
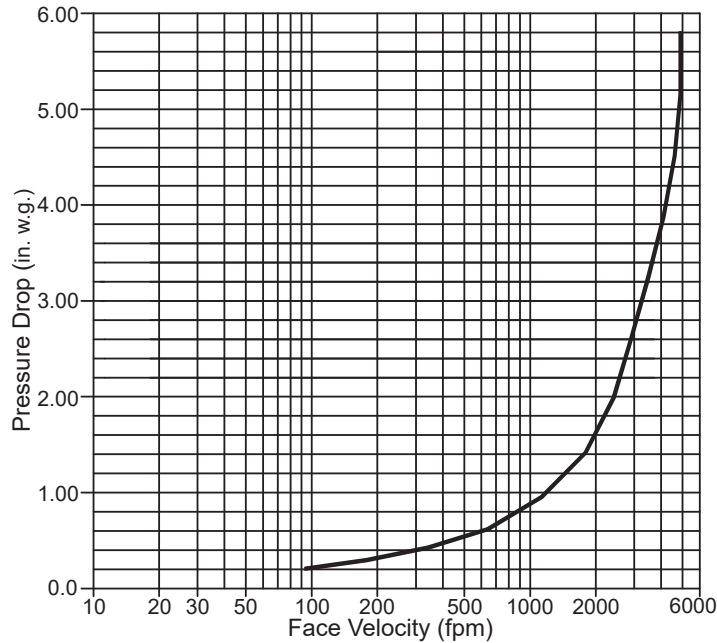
Velocity vs. Pressure Drop

Without Ductwork

Operational Pressures
Start to Open .12 in. w.g.
Fully Open 3.37 in. w.g.

With Ductwork

Operational Pressures
Start to Open .05 in. w.g.
Fully Open .70 in. w.g.



Typical performance for Model BID4 backdraft damper size tested 42"W x 42"H furnished with counterweight to assist opening.

AIR LEAKAGE DATA

Air leakage quantities shown in the chart are results of tests per AMCA Standard 500 and are shown at 1 in. w.g. differential pressure and corrected to 0.75 lb/cu.ft. air density. For determining leakage values greater than 1 in. w.g. to a maximum 10 in. w.g. use the multiplier correction chart.

Total CFM Air Leakage at 1 in.w.g. Differential Through Closed Damper

		Width (in.)						
		12"	18"	24"	30"	36"	42"	48"
Height (in.)	12"	8	12	16	20	24	28	32
	24"	16	24	32	40	48	56	64
	36"	24	36	48	60	72	84	96
	48"	32	48	64	80	96	112	128
	60"	40	60	80	100	120	140	160
	72"	48	72	96	120	144	168	192

For determining leakage values greater than 1 in. w.g. to a maximum 10 in. w.g. use the multiplier correction chart below.

Static Pressure	2	3	4	5	6	7	8	9	10
Multiplier Correction Factor	1.3	1.5	1.8	2.0	2.3	2.5	2.8	3.0	3.3

Air leakage ratings are based on AMCA Standard 500 using test set up Fig. 5.4 with damper in the closed position without the aid of a counterweight or other mechanical means to provide closing torque, for a size 42"W x 42"H damper with blade and jamb seals.